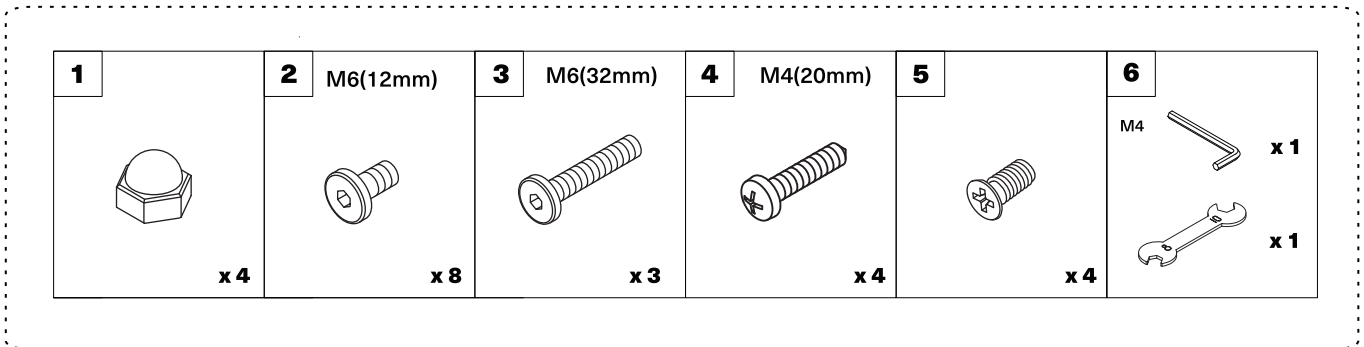
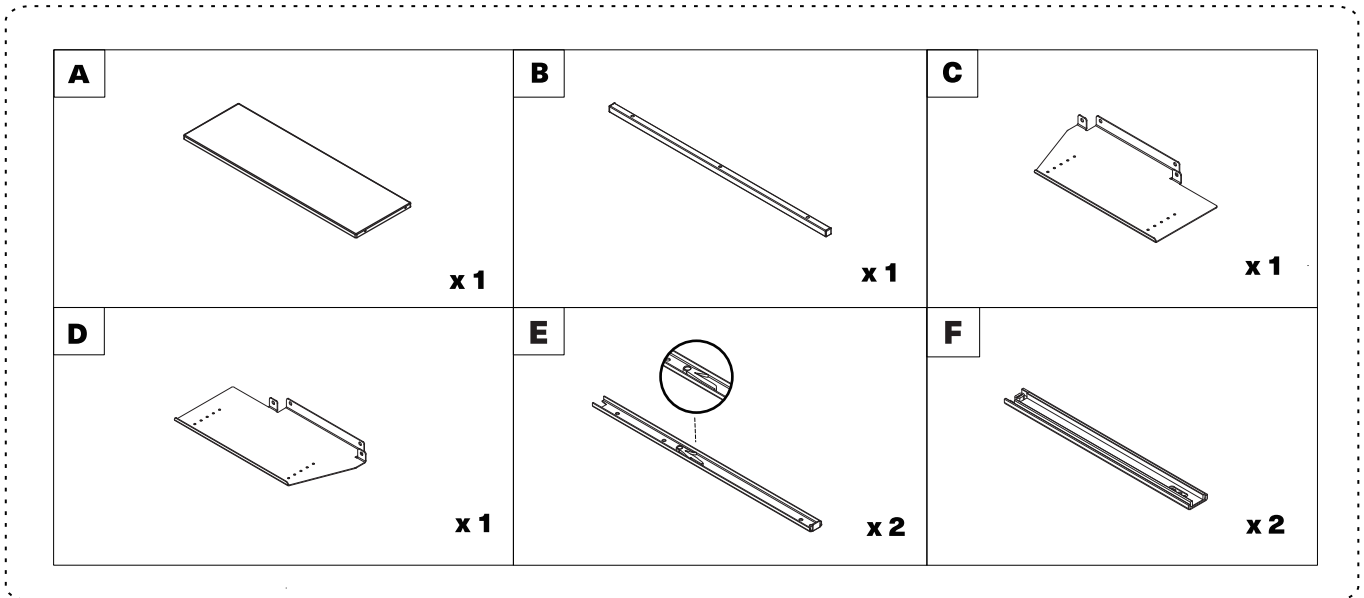


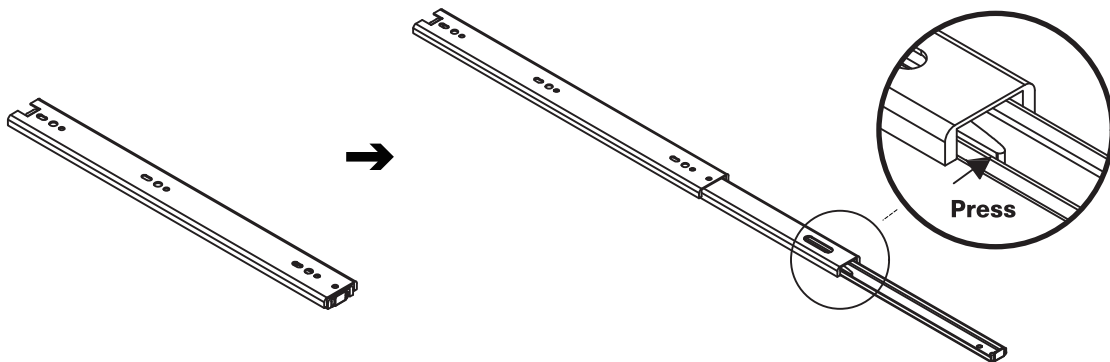


**wavebone**  
For Your Long Way to The Top



## STEP 1

Pull out the slide rail,  
then press the plastic tab and pull out  
the inner slide rail to get **E** & **F**.



## STEP 2

Assemble the slide rail **E** to board **A** according to the instruction below.

**A** x1

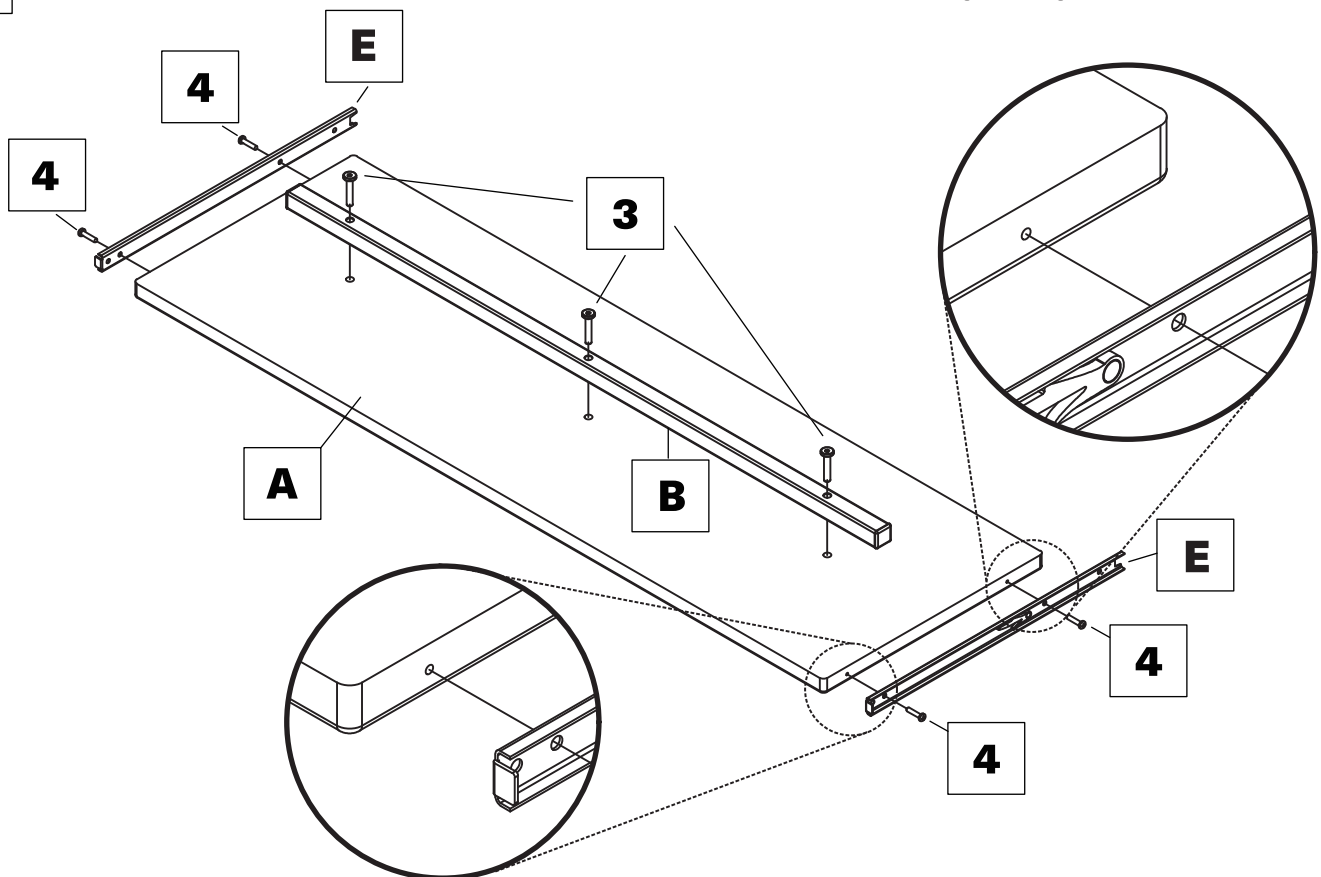
**B** x1

**E** x2

**3** x3

**4** x4

**Note:** Please align the screw holes of rail **E** and board **A** before tightening the screws.



Please be aware of the long and short side of the screw hole on board **A**.

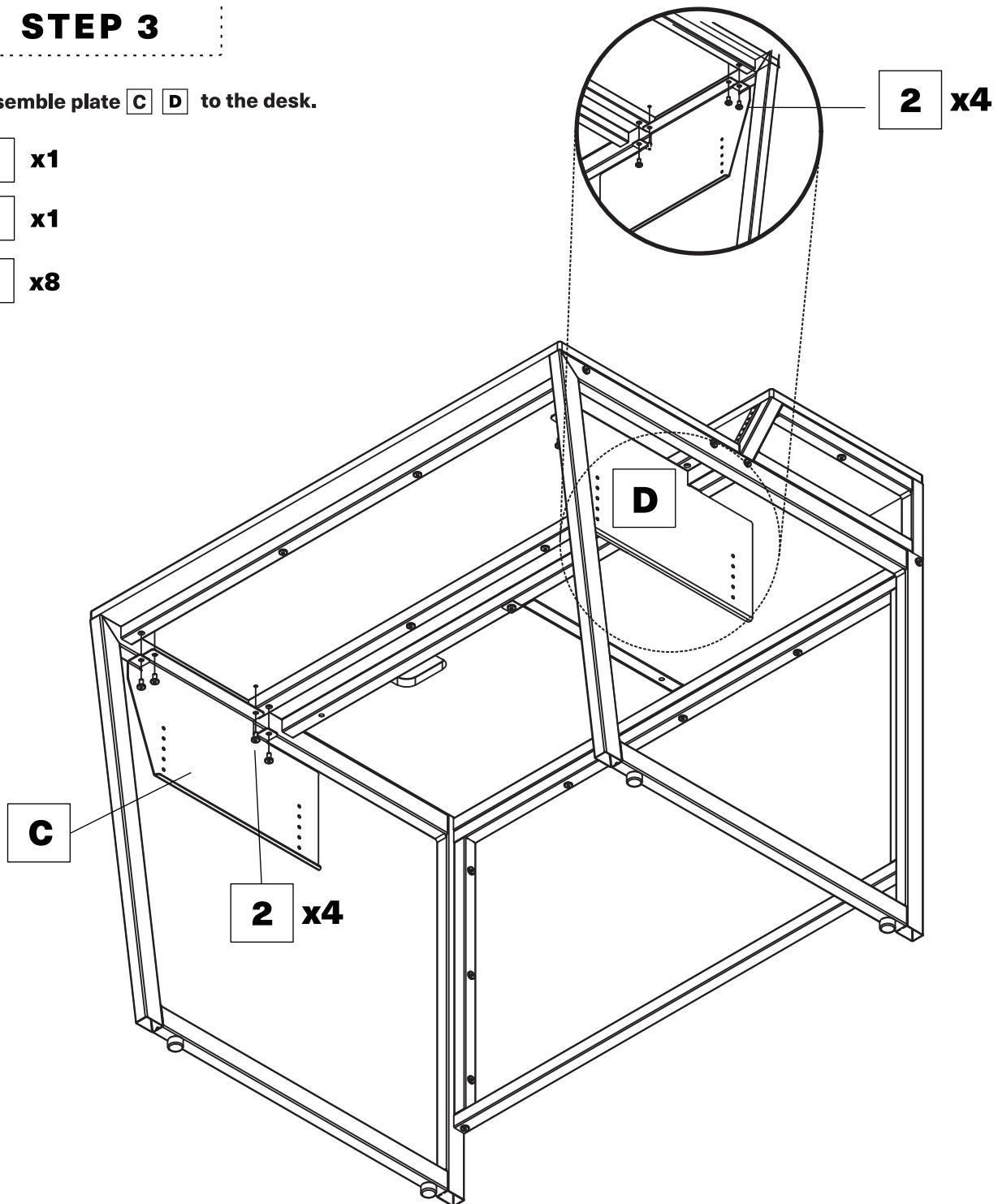
## STEP 3

Assemble plate **C** **D** to the desk.

**C** x1

**D** x1

**2** x8



**Do not tighten the screws before the whole keyboard tray is assembled.**

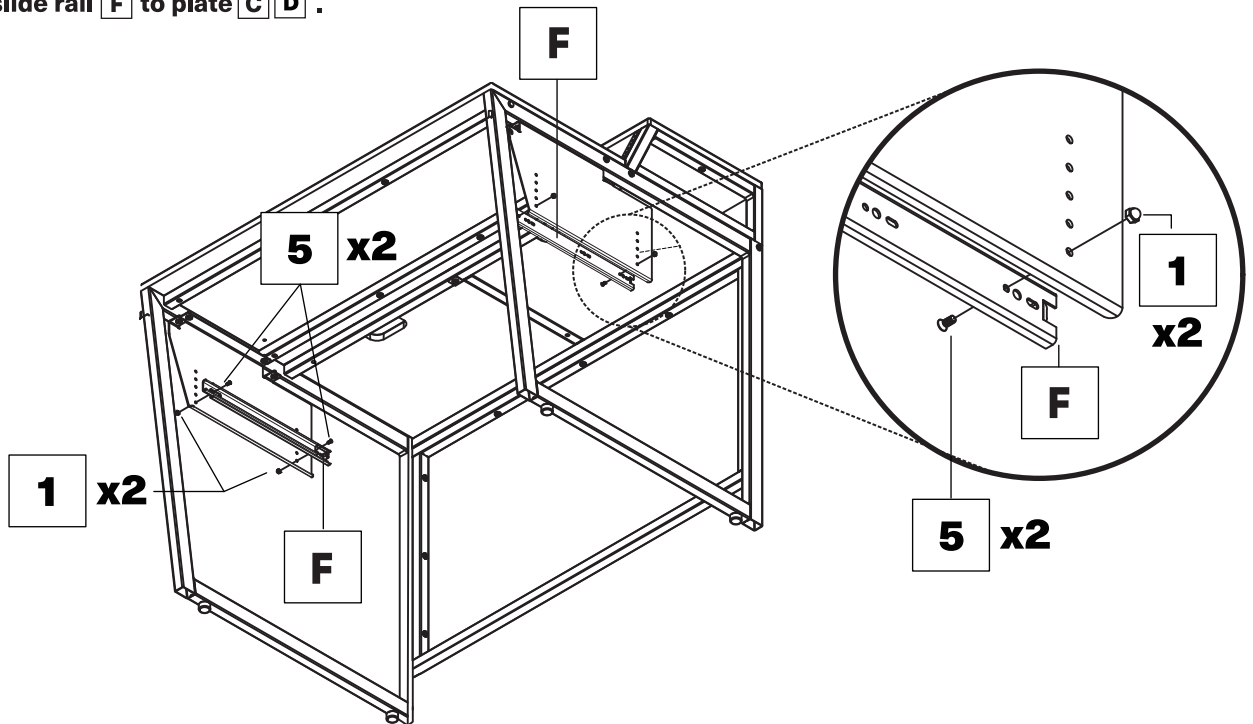
## STEP 4

Assemble slide rail **F** to plate **C** **D**.

**F** x2

**1** x4

**5** x4

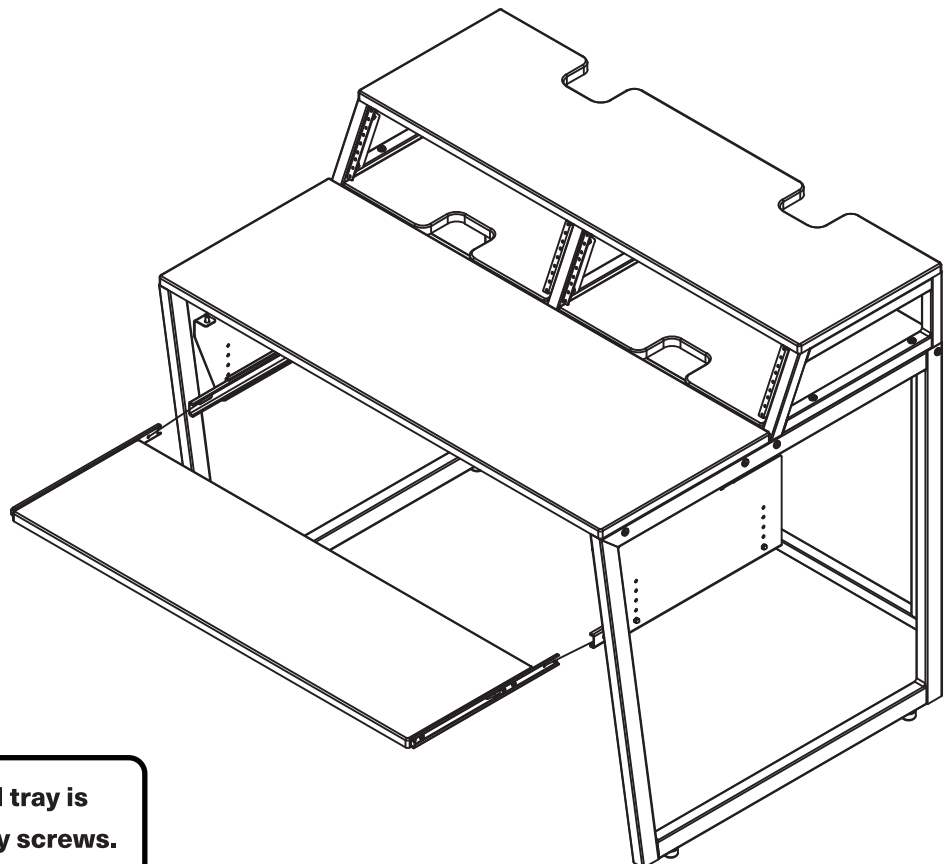


## STEP 5

Slide in the assembled board to slide rail **F**.



Assistance Recommended



After the whole keyboard tray is assembled, tighten every screws.